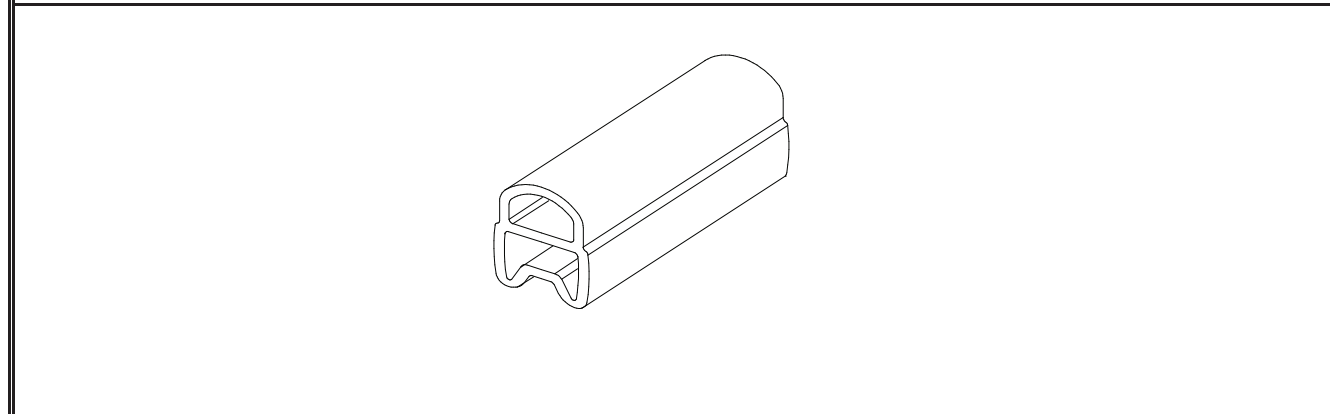


<b>DATA SHEET</b> N° DS/211	<b>TRASP SYSTEM</b> <b>400 SERIES SLEEVES</b>	DATE: 21/09/2005
--------------------------------	--	---------------------

**DRAWING**



**REFERENCE ITEM CODE**

401/10MC, 401/12MC, 401/15MC, 401/18MC, 401/30MC, 402/10MC, 402/12MC, 402/15MC, 402/18MC, 402/30MC, 403/10MC, 403/12MC, 403/15MC, 403/18MC, 403/30MC, 404/10MC, 404/12MC, 404/15MC, 404/18MC, 404/30MC, 405/10MC, 405/12MC, 405/15MC, 405/18MC, 405/30MC, 406/10MC, 406/12MC, 406/15MC, 406/18MC, 406/30MC.

**APPLICATION**

SERIES OF SLEEVES WHICH COVERS, BY FEW ITEMS, A WIDE RANGE OF CABLES, SENSIBLY REDUCING STOCK.

**PHYSICAL PROPERTIES**

TYPE OF MATERIAL	PVC
COLOUR	TRASPARENT
DUREZZA SHORE A 30"	85 (METODO DI PROVA DIN 53505)
TEMPERATURE RANGE	- 50 ÷ + 80 °C (-58 ÷ +176 °F)
SELF-EXTINGUISHABILITY	CLASS VO IN COMPLIANCE WITH UL - 94 NORMS
RESISTANCE TO WATER	☺
RESISTANCE TO OILS	☺
RESISTANCE TO DUST	☺
RESISTANCE TO ACIDS	☺
COMPILANCE TO RoHS DIRECTIVE	☺

ITEM CODE	OUTER CABLE DIAMETER [mm / inch]	PIECES PER PACK				
		.../10	.../12	.../15	.../18	.../30
401/...MC	1.5÷2.5 / 0.059÷0.098	3000	3000	3000	3000	1500
402/...MC	2÷4 / 0.078÷0.15	3000	3000	3000	3000	1500
403/...MC	4÷7 / 0.15÷0.27	3000	2000	2000	2000	1000
404/...MC	6÷10 / 0.24÷0.4	2000	2000	1500	1000	500
405/...MC	10÷14 / 0.4÷0.5	1500	1000	1000	500	500
406/...MC	14÷22 / 0.5÷0.9	1000	500	500	500	300

**NOTES:**

<b>PREPARED BY:</b>	<b>APPR. BY:</b>	<b>DATE:</b>	<b>REVISION ISSUE</b>	<b>PAGES</b>
M.Montecuccio		21/09/2005	ITEMS 401-6/30MC ADDED	1 of 1